

# Angled Abutments

Because of the extremely compact design of the EB17d, EBA17d, EBBB17d, AMC17d, ABAMC17d, ABBBMC17d, AMC30d, ABAMC30d and ABBBMC30d angled abutments, placement of these must be done in the stages shown below:

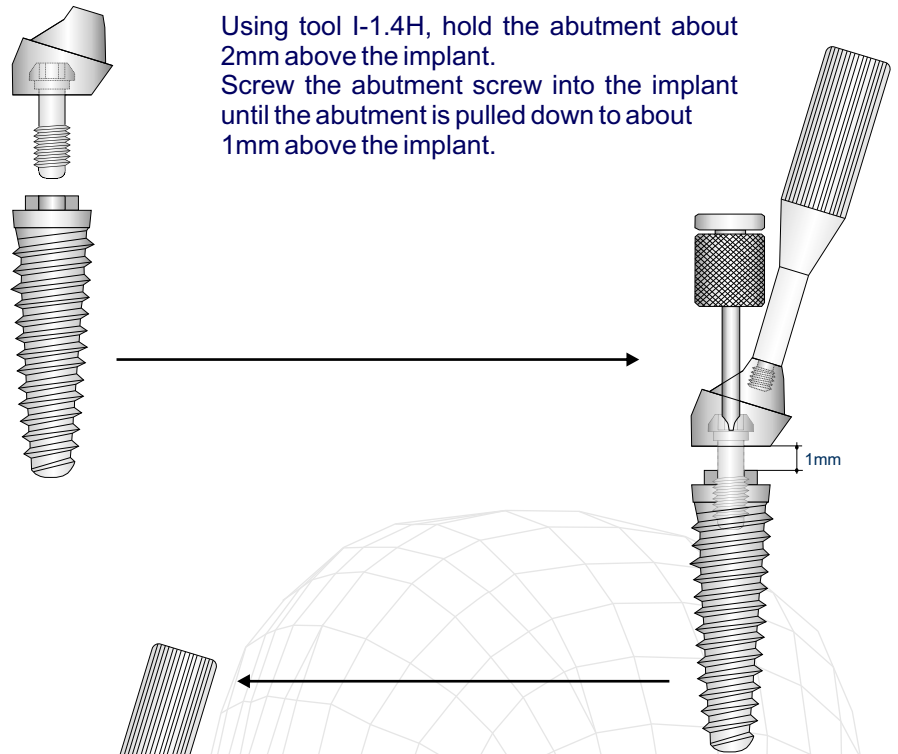
## Step 1

Place abutment screw in abutment prior to bringing it to the implant.

**It is not possible to seat the abutment on top of the implant and thereafter introduce the abutment screw.**

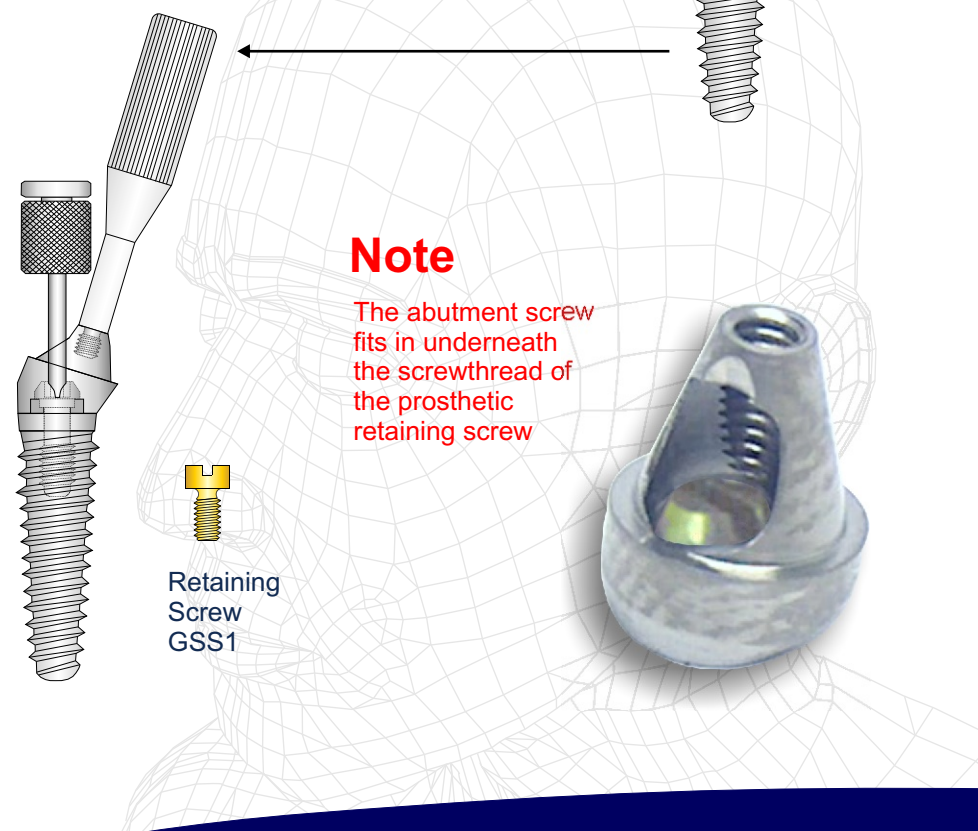
## Step 2

Using tool I-1.4H, hold the abutment about 2mm above the implant. Screw the abutment screw into the implant until the abutment is pulled down to about 1mm above the implant.



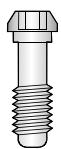
## Step 3

Now seat the abutment down on the implant in the correct position and then proceed with tightening of the abutment screw. Remove tool I-1.4H



### Note

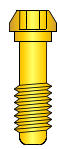
The abutment screw fits in underneath the screwthread of the prosthetic retaining screw



Abutment Screw TSU9 Uni



Abutment Screw GSS9 Slotted



Abutment Screw GSU9 Uni



Retaining Screw GSS1

(FOR-D9-00) CAT-1002-01

## EXPANDING PROVEN CONCEPTS